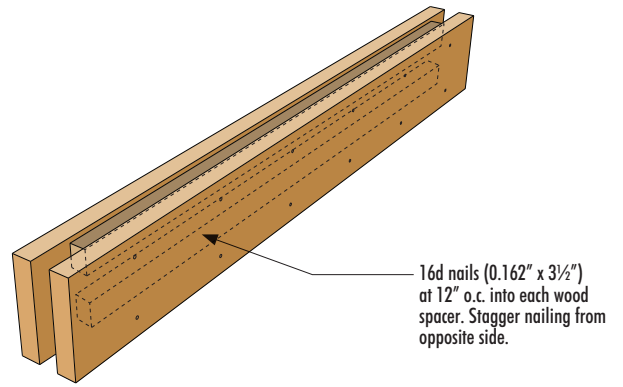


# BRIDGE DECK FORMWORK SYSTEMS AND DEFINITIONS

**Wood spacers:**

- Thickness per hanger manufacturer
- Width as required to avoid splitting
- Length equal to distance between coil bolts + 0", - 2"
- Locate at top and bottom of ledger

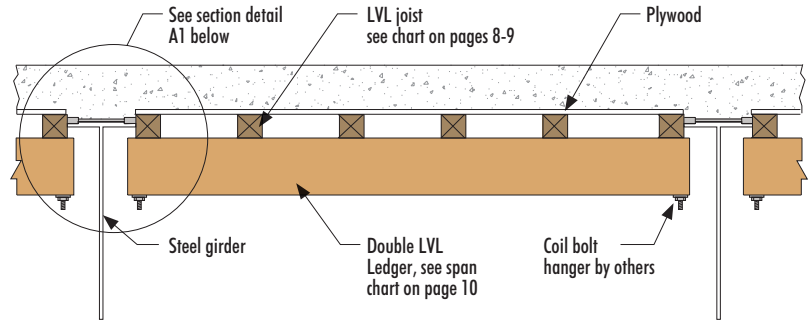
**Double LVL Ledger**



**TYPICAL BRIDGE DECK FORMWORK SYSTEMS**

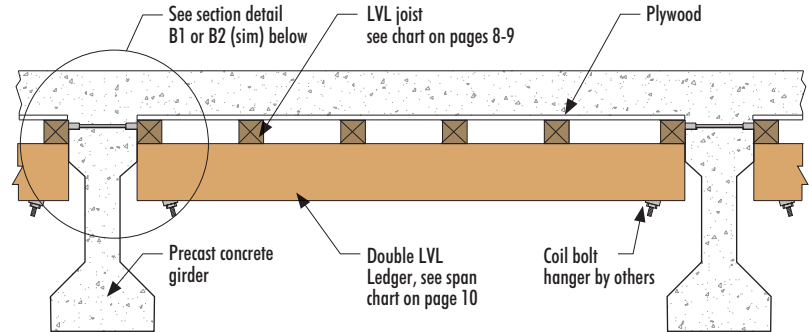
**SYSTEM A**

LVL joists and double LVL ledger suspended from steel bridge girders by coil bolt hangers



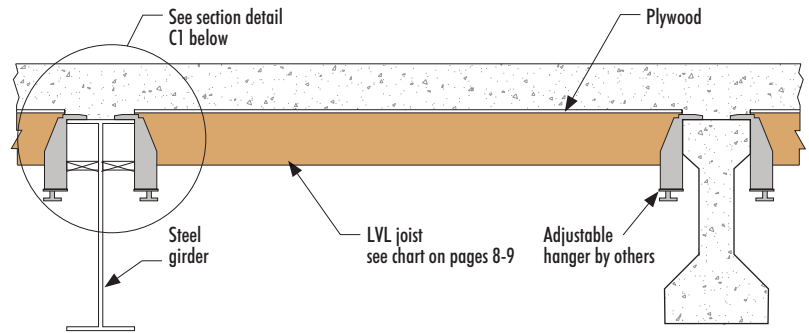
**SYSTEM B**

LVL joists and double LVL ledger suspended from pre-cast concrete bridge girders by coil bolt hangers



**SYSTEM C**

LVL joists suspended from steel or pre-cast concrete bridge girders by adjustable hangers



## BRIDGE DECK FORMWORK DETAILS

