

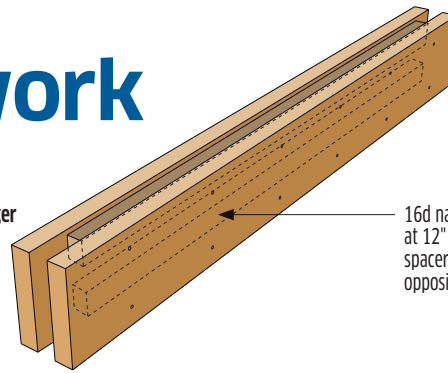
Bridge Deck Formwork

Systems and Definitions

Wood spacers:

- Thickness per hanger manufacturer
- Width as required to avoid splitting
- Length equal to distance between coil bolts + 0", - 2"
- Locate at top and bottom of ledger

Double LVL Ledger

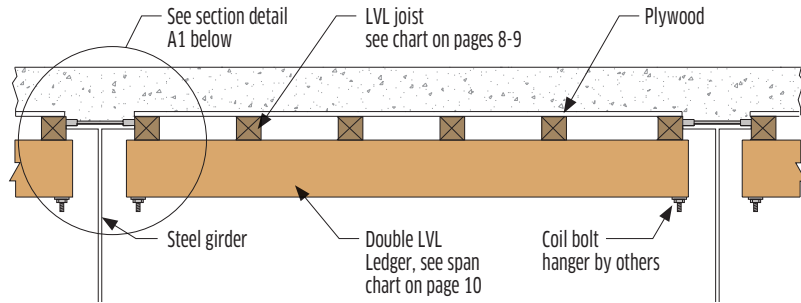


16d nails (0.162" x 3½") at 12" o.c. into each wood spacer. Stagger nailing from opposite side.

Typical Bridge Deck Formwork Systems

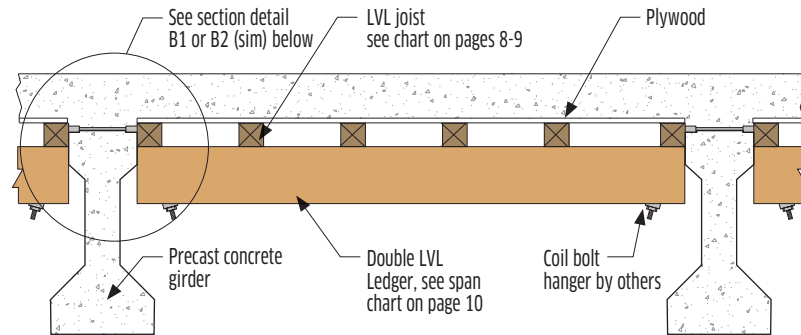
SYSTEM A

LVL joists and double LVL ledger suspended from steel bridge girders by coil bolt hangers



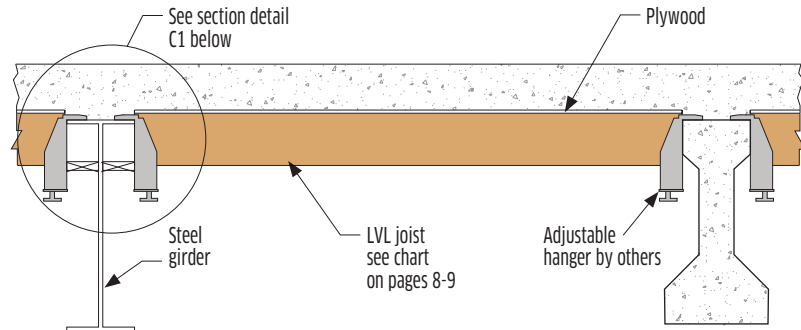
SYSTEM B

LVL joists and double LVL ledger suspended from pre-cast concrete bridge girders by coil bolt hangers



SYSTEM C

LVL joists suspended from steel or pre-cast concrete bridge girders by adjustable hangers



Bridge Deck Formwork Details

