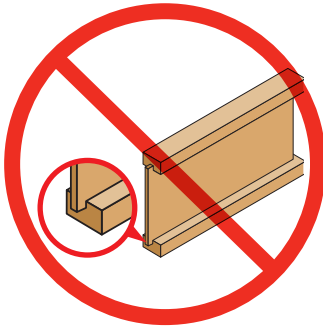
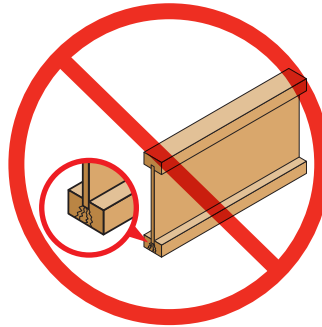


# Formwork Inspection

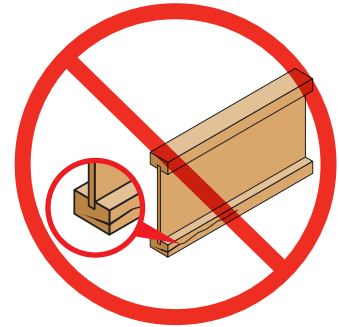
- Web-to-flange separation
- Web knifing
- Holes in webs
- Split flange
- Discoloration
- Soft spots in web or flange
- Mold/Fungus
- Bevel cuts extending beyond inside face of support
- Notched flange
- Saw kerf in flange
- Buckled web
- Gouged or splintered flange



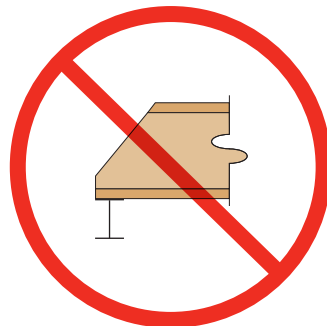
**Web-To-Flange Separation**  
Cut back or remove from service



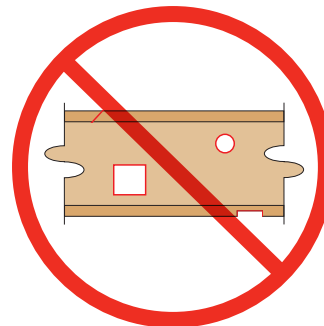
**Web Knifing**  
Cut back or remove from service



**Split Flanges**  
Cut back or remove from service



**Do Not Bevel**  
end of joist beyond inside  
face of support



**Do Not Cut, Notch, or Drill** Joists with holes  
in webs, with notches, or saw kerfs should  
be cut back or removed from service

# Storage & Handling Guidelines

## Storage

- Store bundles upright on a smooth, level, well drained supportive surface.
- Always stack and handle I-joists in the upright position only.
- Bundles should not be in contact with the ground.
- Place 2x or LVL spacers (at a maximum of 10' apart) between bundles and the ground and bundles stored on top of one another.
- Bundles should remain wrapped, strapped and protected from the weather until time of installation.

## Handling

- All handling of joists with a forklift or crane should be done carefully.
- Joists should remain vertical during handling.
- Avoid excessive bowing during all phases of handling and installation (i.e. measuring, sawing or placement).
- Damage may result if the joist or beam is twisted or a load is applied to it while it's lying flat.

Never use or field repair a damaged I-joist.